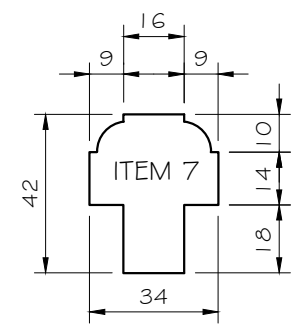
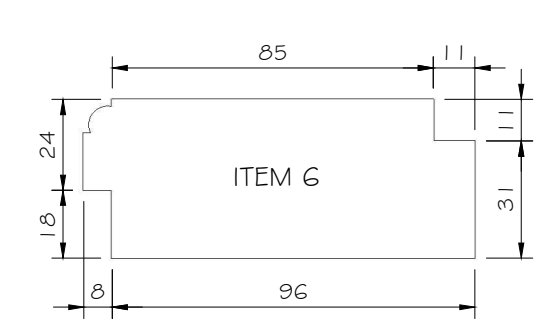
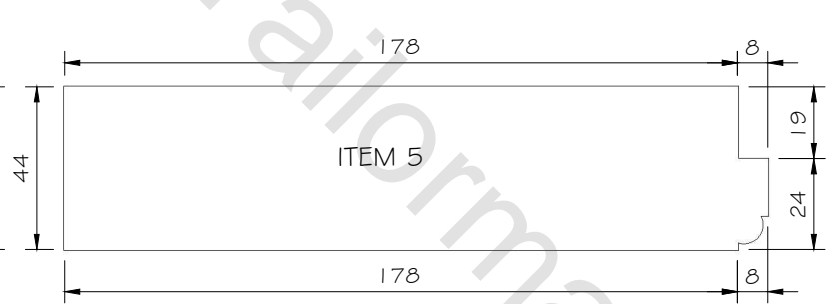
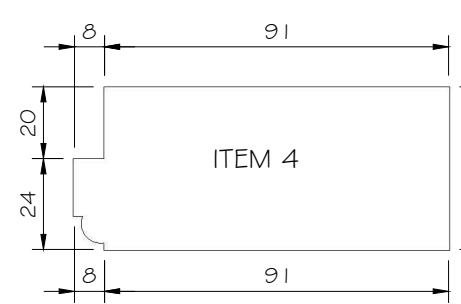
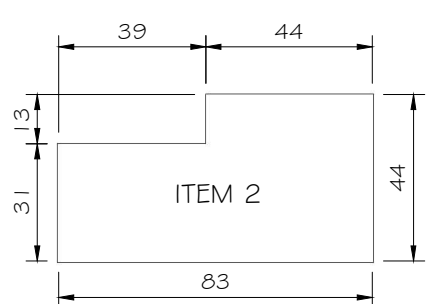
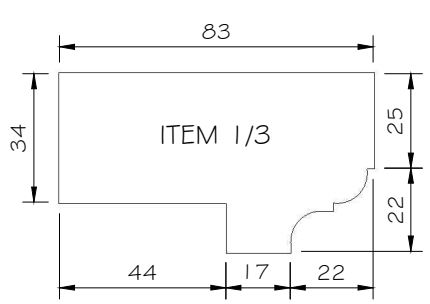
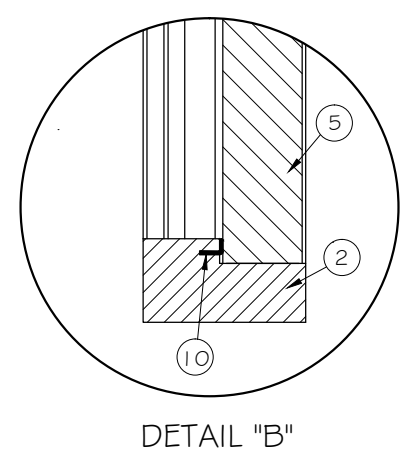
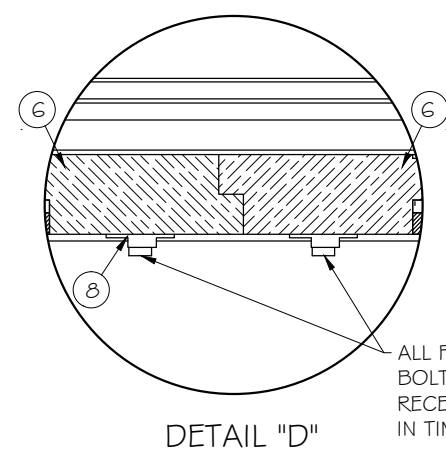
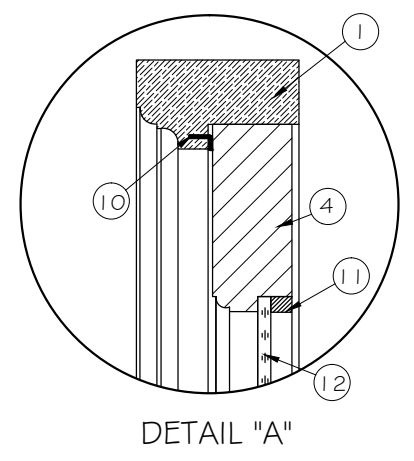
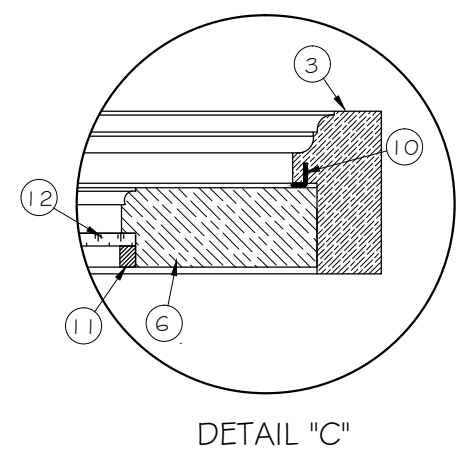
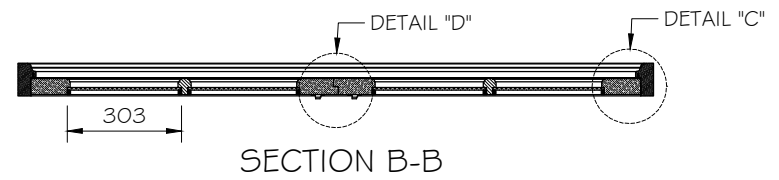
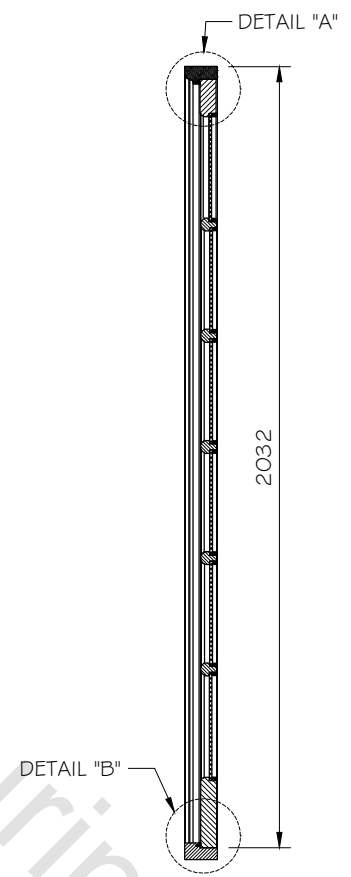
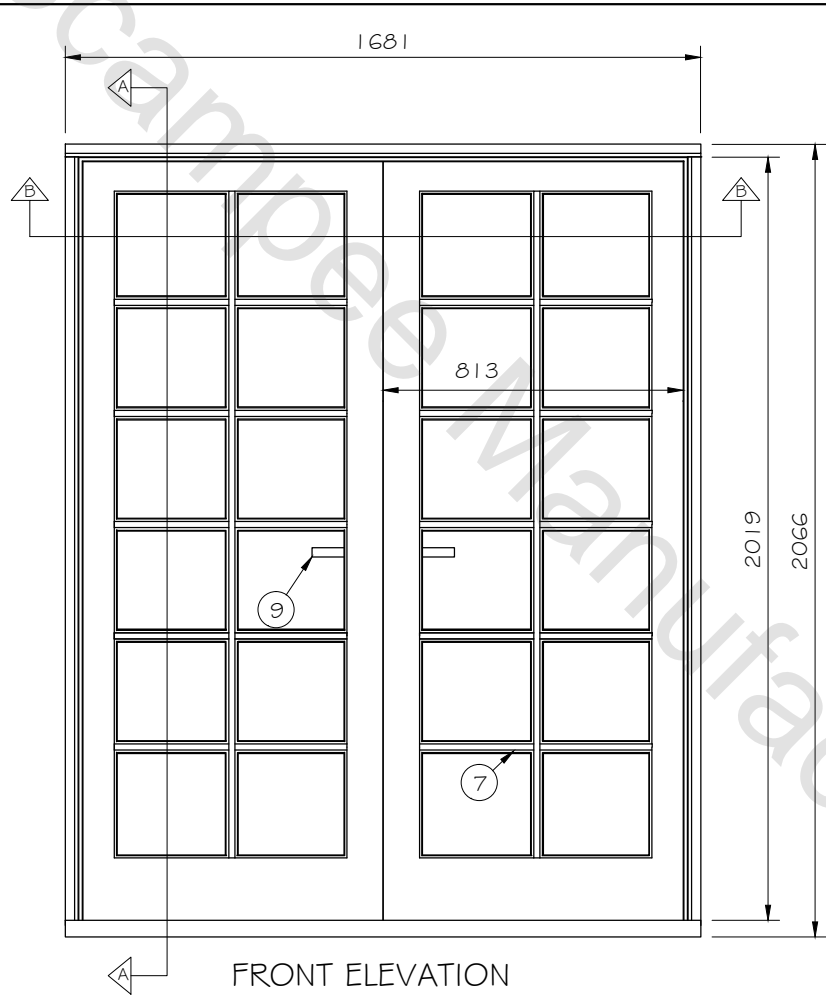


Sample Manufacturing Tailormade Joinery



NOTE: *PERFORMANCE CATEGORY AAAMSA "A1"
 *ALL JOINTS SEALED WITH GENKEM QAR 1 07D4
 *SILICON TO BE PLACED ON FRAME BEFORE GLASS IS SEATED.
 *WOOD BEAD SILICONED & NAILED TO FRAME.

ITEM LIST			
ITEM	DESCRIPTION	ITEM	DESCRIPTION
1	DOOR HEAD	10	AQUAMAC 124
2	DOOR CILL	11	WOOD BEAD
3	DOOR STILE	12	GLASS 6.38mm LAMINATED
4	DOOR TOP RAIL	13	
5	DOOR BOTTOM RAIL	14	
6	DOOR STILE	15	
7	BAR	16	
8	FLUSH BOLTS	17	
9	DOOR LOCK	18	

TAILORMADE JOINERY
 TEL: 032 947 0435
 PO BOX 260 UMHLALI 4390

DOOR SMALL PANE			
DRAWN	KEVIN	DRAWING	
DATE	09/04/2013	NUMBER	REV.
SCALE	1:4 - 1:20	014	0